

# Newdeal FILTER REGULATOR

Highly reliable piston-operated filter regulator.

- Stability of the set pressure as the upstream pressure varies
- Standard overpressure blow-off valve
- Can be fixed to the wall using the holes in the sides of the body
- Metal bowl with external viewing
- Manual/semi-auto or automatic condensate drainage

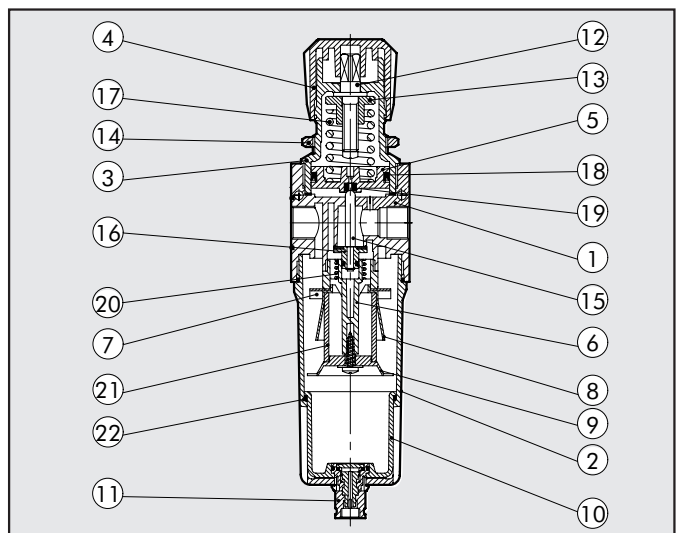


TECHNICAL DATA		FR ND 1/4	FR ND 3/8"	FR ND 1/2"
Threaded port		1/4"	3/8"	1/2"
Setting range	bar	0 to 2 - 0 to 4 - 0 to 8 - 0 to 12		
Degree of filtration		4µm 20µm 50µm		
Max. inlet pressure	MPa	1.8		
	bar	18		
	psi	261		
Flow rate at 6.3 bar (0.63 MPa ÷ 91 psi)	NI/min	260		1000
ΔP 0,5 bar (0,05 MPa ÷ 7 psi)	scfm	9.2		35.5
Flow rate at 6.3 bar (0.63 MPa ÷ 91 psi)	NI/min	700		2500
ΔP 1 bar (0.1 MPa ÷ 14 psi)	scfm	25		88.5
Fluid		Compressed air		
Max temperature at 1 MPa; 10 bar; 145 psi	°C	50°		
	°F	122°		
Weight	Kg	0.5		1
Wall fixing screws		M4x40		M4x55
Mounting position		Vertical		
Gauge port		G 1/8"		G 1/8"
Bowl capacity	cm <sup>3</sup>	10		45
Condensate drain		Manual - Semi-automatic - Automatic		
Notes:		The regulator pressure must always be set upwards.		

3

## COMPONENTS

- |                             |                                    |
|-----------------------------|------------------------------------|
| ① Zamak body                | ⑩ Valve with NBR vulcanized gasket |
| ② Aluminium bowl            | ⑪ Steel adjusting spring           |
| ③ Technopolymer bell        | ⑫ NBR lip seal                     |
| ④ Technopolymer knob        | ⑬ NBR relieving seal               |
| ⑤ Technopolymer piston rod  | ⑭ Steel valve compression spring   |
| ⑥ Technopolymer plug        | ⑮ Sintered bronze filter cartridge |
| ⑦ Technopolymer centrifuge  | ⑯ NBR gaskets                      |
| ⑧ Technopolymer baffle plug |                                    |
| ⑨ Technopolymer screen      |                                    |
| ⑩ Technopolymer bowl        |                                    |
| ⑪ Drain (RMSA)              |                                    |
| ⑫ OT 58 adjustind screw     |                                    |
| ⑬ OT 58 brass nut           |                                    |
| ⑭ Technopolymer ring nut    |                                    |
| ⑮ OT58 brass rod            |                                    |

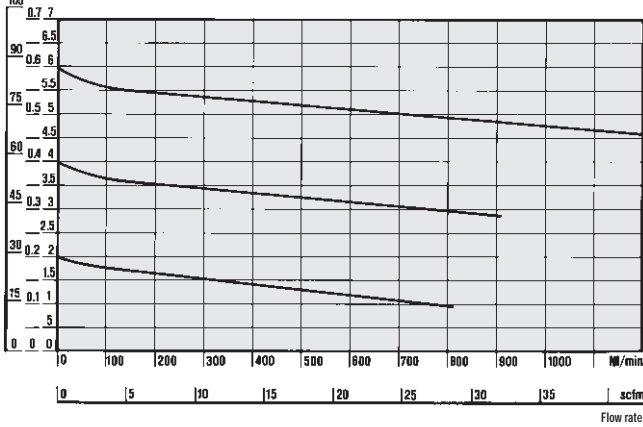


## FLOW CHARTS

### FR 1/4

Pm = 0,7 MPa; 7 bar; 102 psi  
Inlet pressure

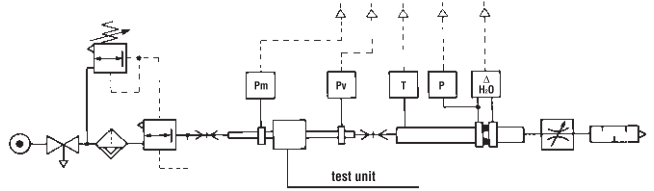
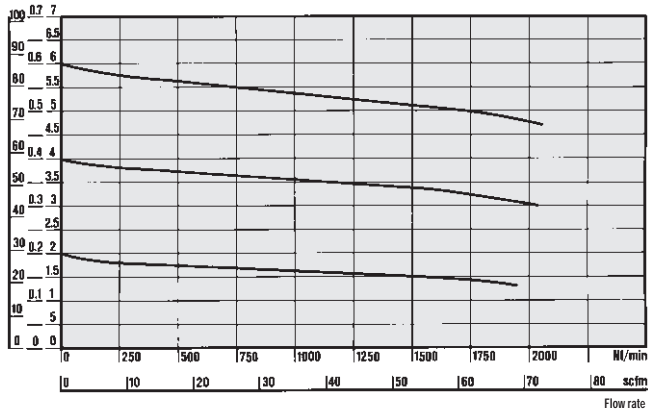
psi MPa bar



### FR 3/8 - 1/2

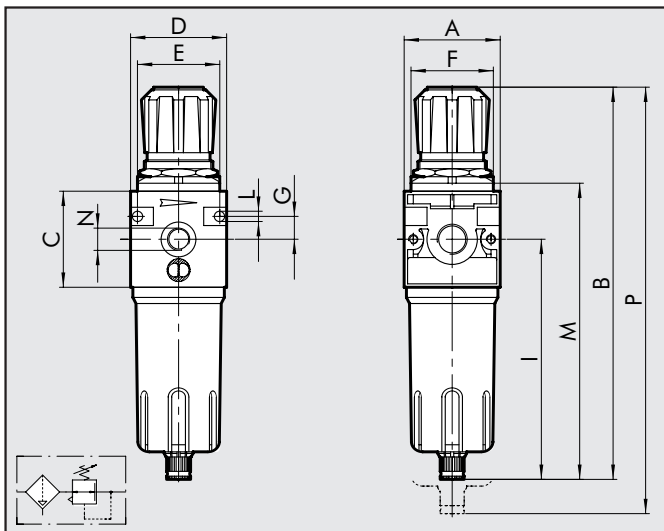
Pm = 0,7 MPa; 7 bar; 102 psi  
Inlet pressure

psi MPa bar



• Flow tests carried out at the Department of Mechanics, Turin Polytechnic, using the computerized test bench following CETOP RP50R recommendations (ISO DIS 6358-2-approved) with ISO 5167 diaphragm gauge.

## DIMENSIONS



	G 1/4	G 3/8	G 1/2
A	42	60	
B	190	245	
C	42	60	
D	42	60	
E	36	52	
F	30x1.5	38x2	
G	10	14	
I	121	150	
L	M4 hole	M4 hole	
M	145	185	
N	1/8	1/8	
P	233	295	

